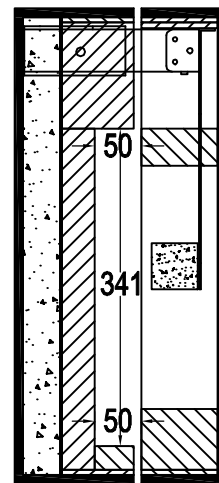
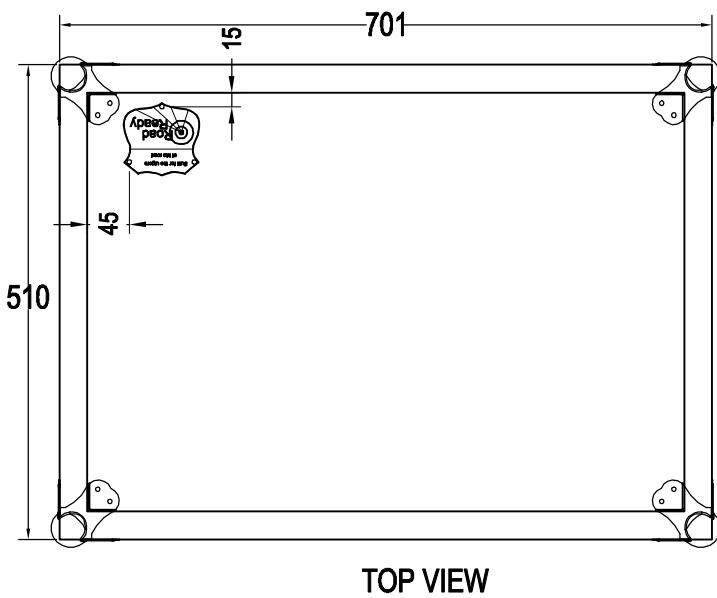
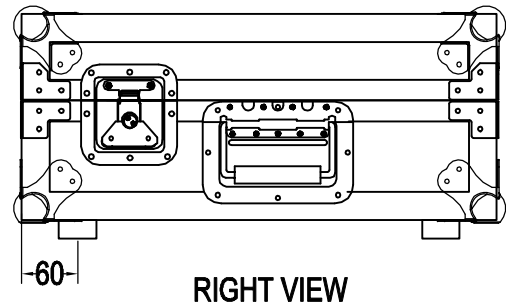
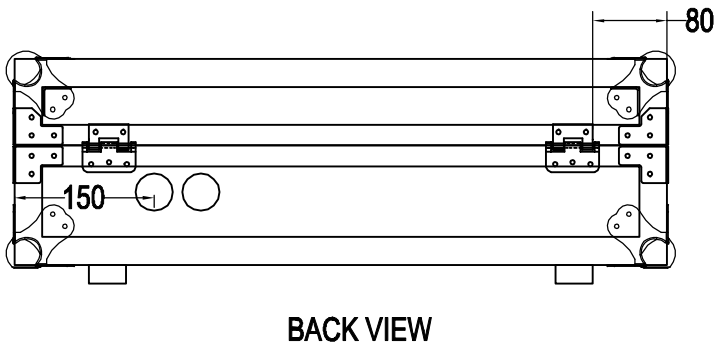
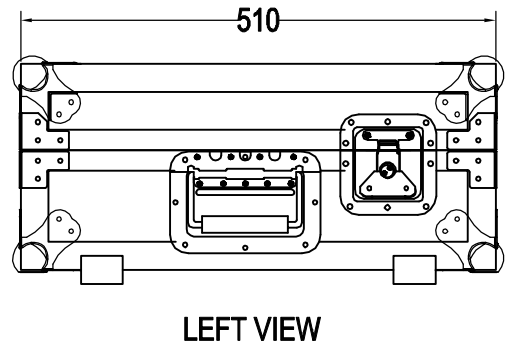
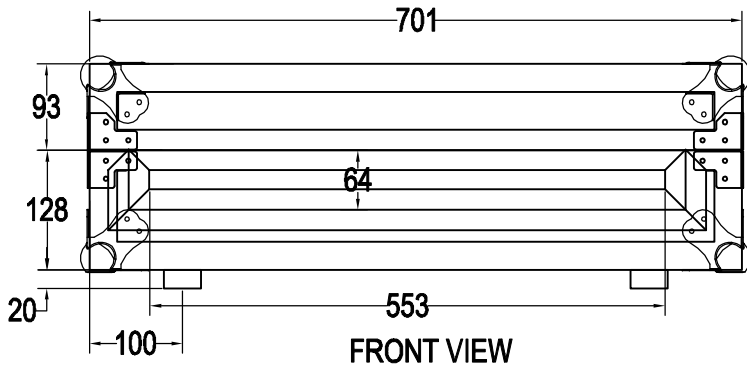


RRDDJSXL

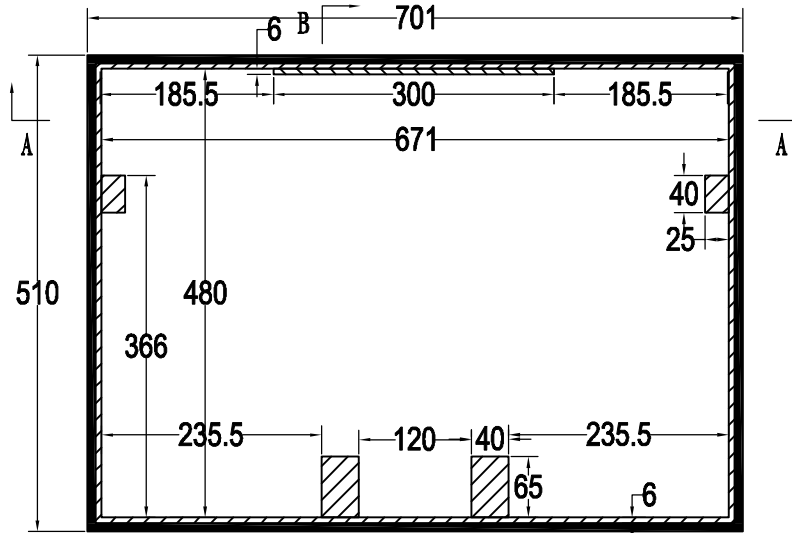


SKU: RRDDJSXL	BY: ROAD READY CASES
UPC: NA	APPROVAL SIGNATURE: _____ DATE: _____
DRAWING DATE: 11 / 29 / 2012	SCALE: 1:8
DRAWING NUMBER: 1/2	REVISION: E

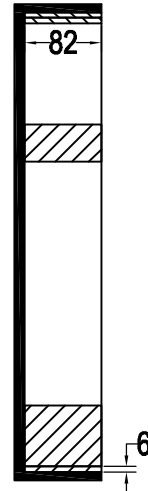
RRDDJSXL



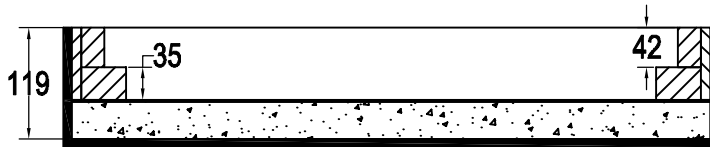
A-A VIEW



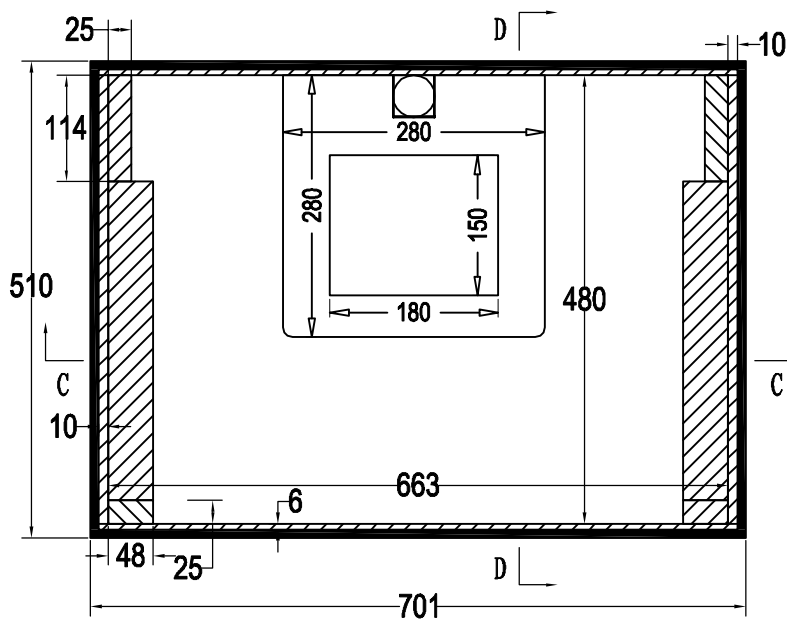
TOP VIEW OF COVER



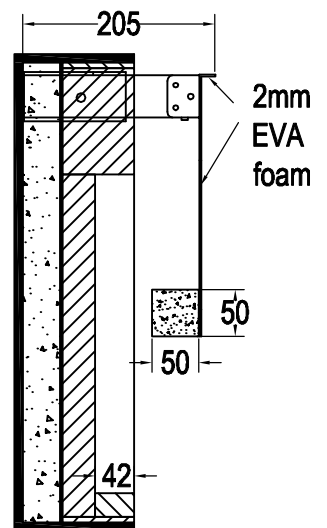
B-B VIEW



C-C VIEW



TOP VIEW OF BASE



D-D VIEW

	SKU: RRDDJSXL	BY: ROAD READY CASES
	UPC: NA	DATE:
APPROVAL SIGNATURE:		DATE:
DRAWING DATE:	SCALE:	DRAWING NUMBER:
11 / 29 / 2012	1:8	2/2
REVISION:		E