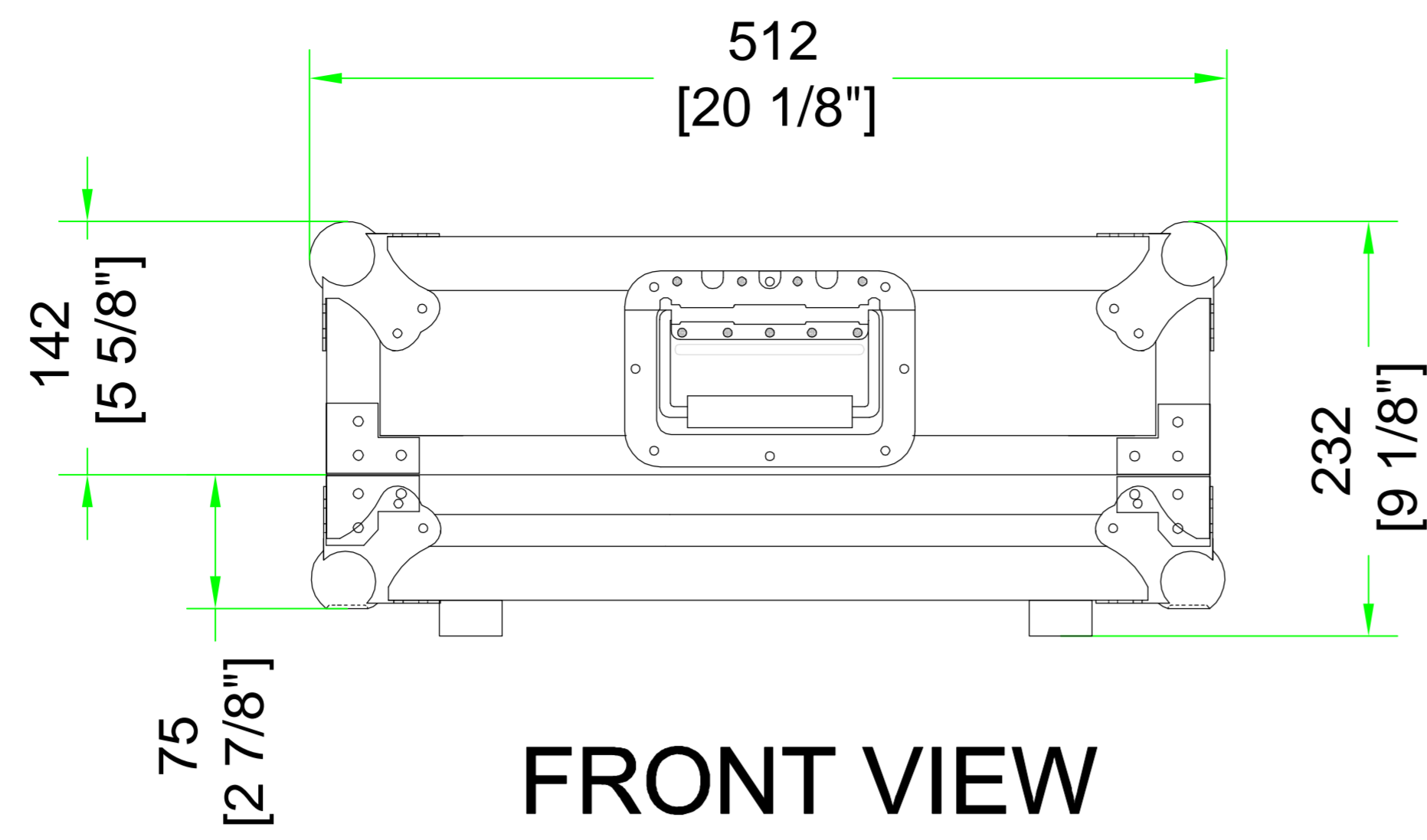
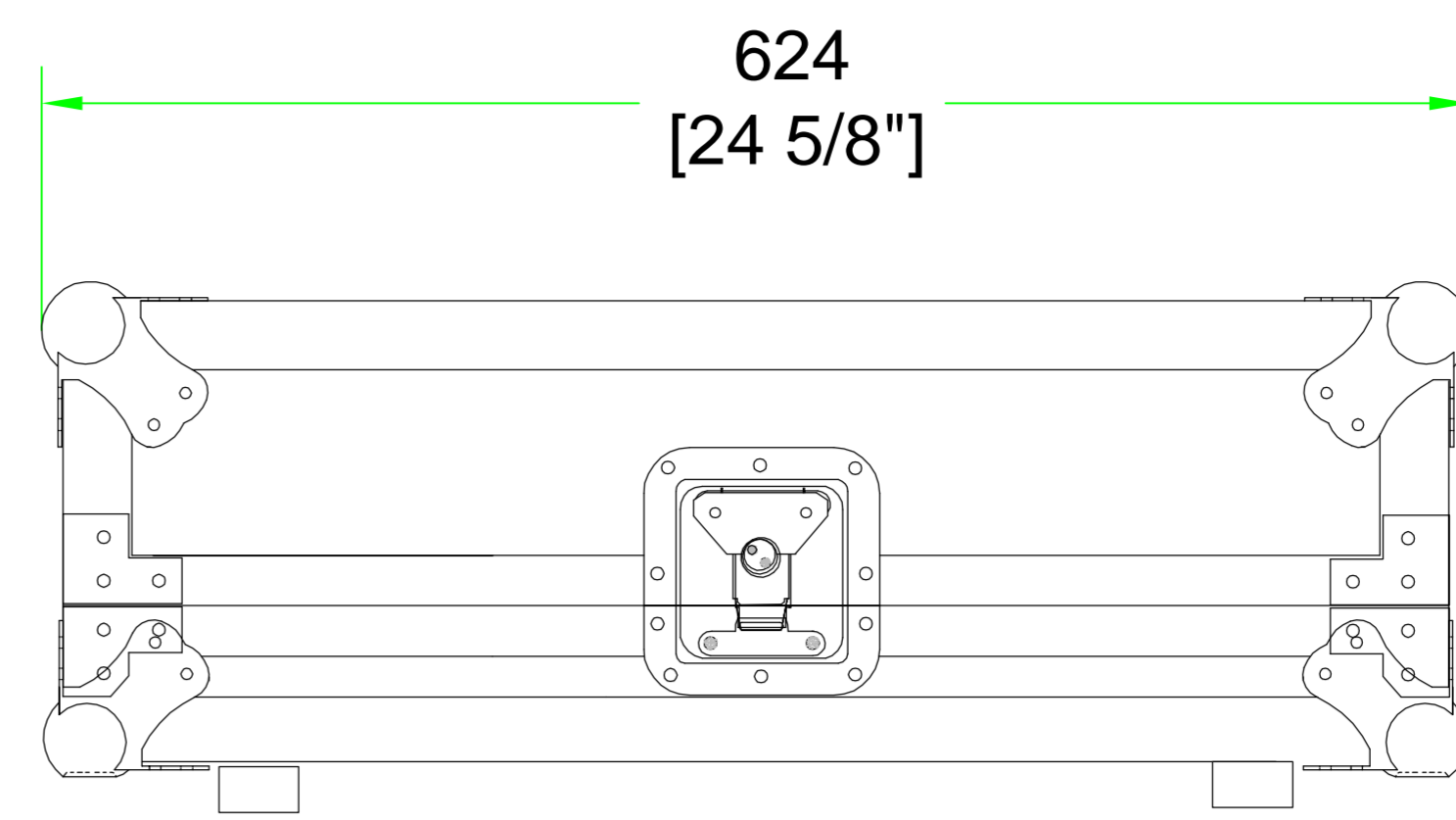


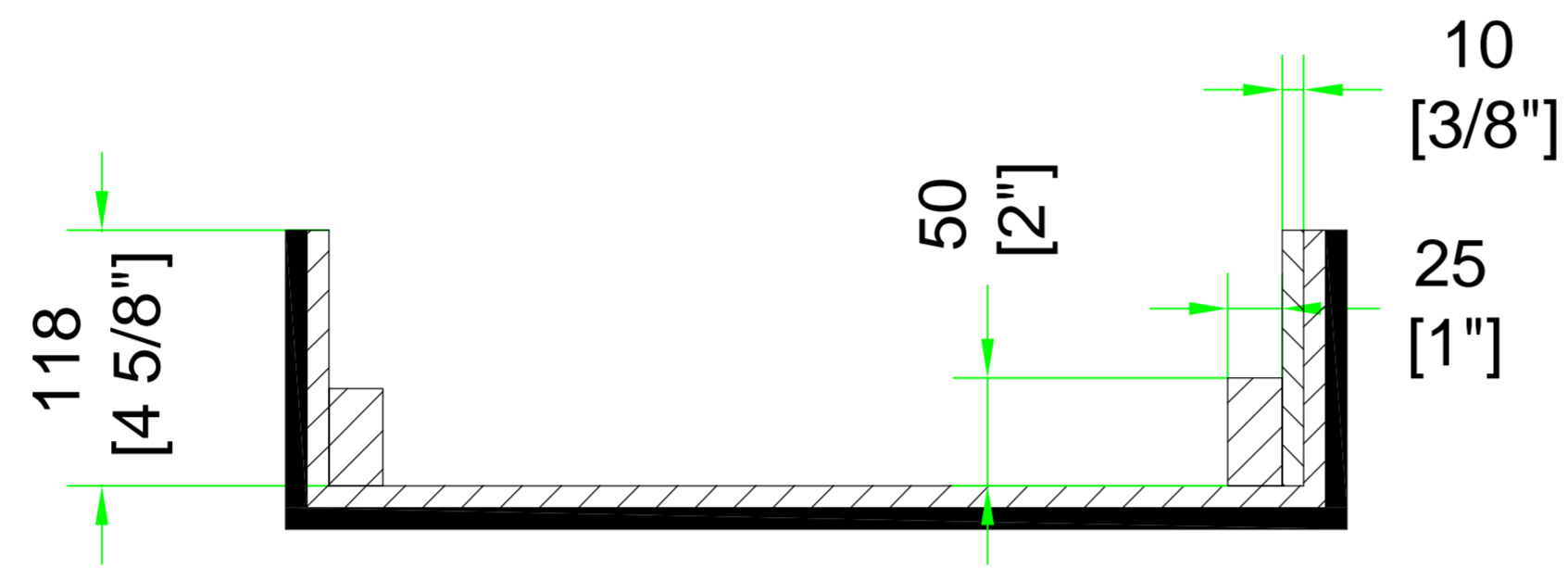
# RREMX5014MKII



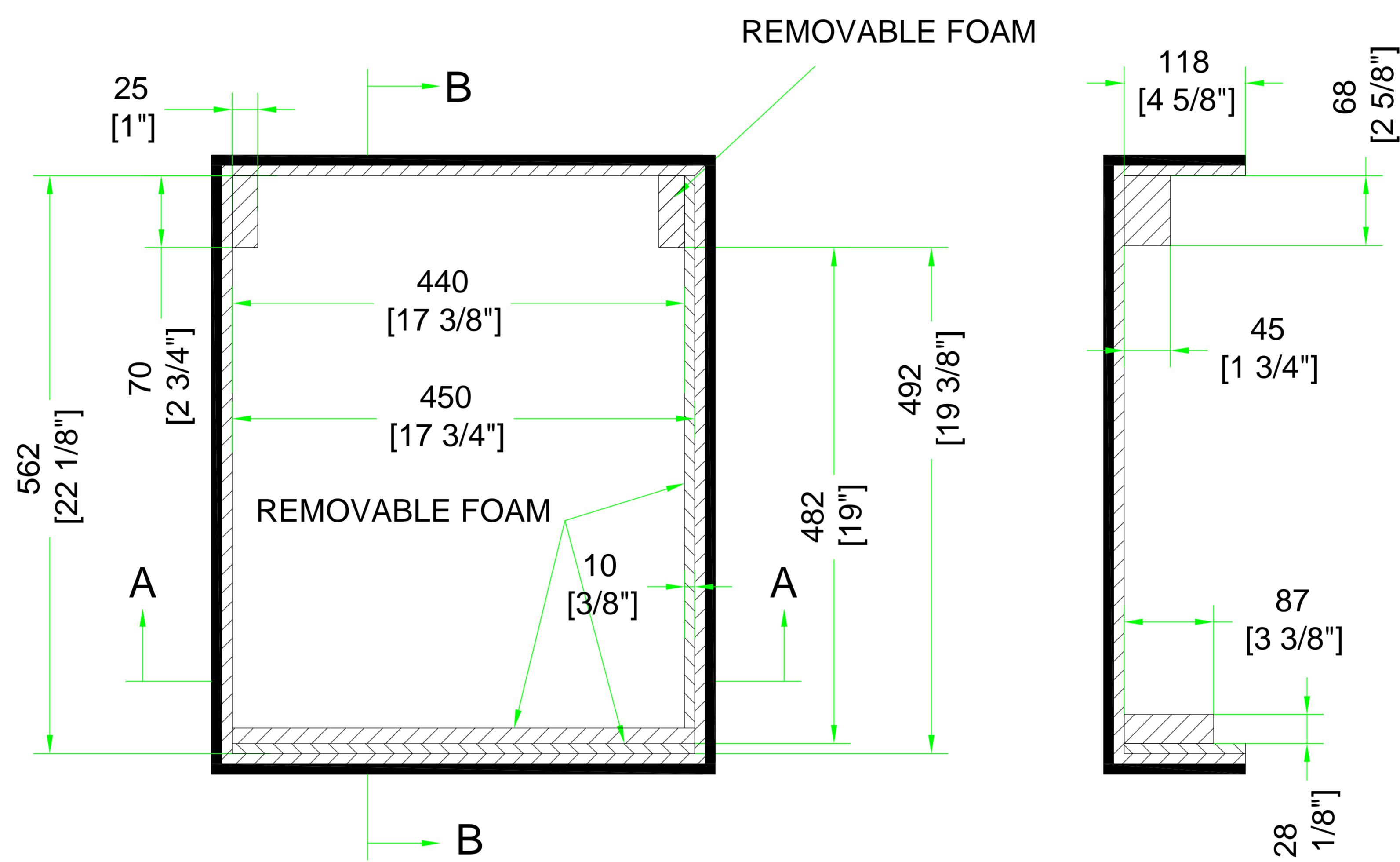
FRONT VIEW  
BACK VIEW



LEFT VIEW  
RIGHT VIEW

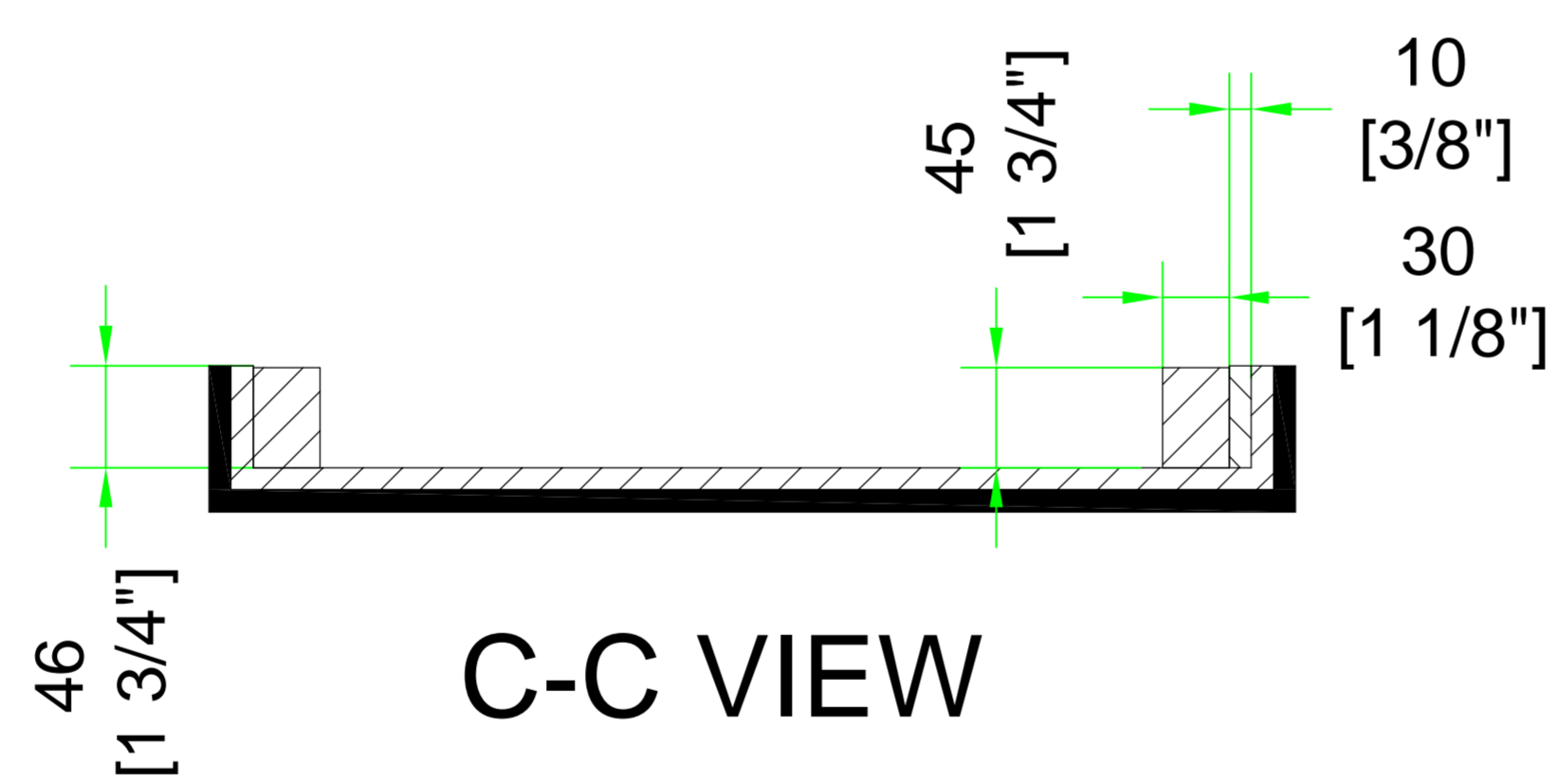


A-A VIEW

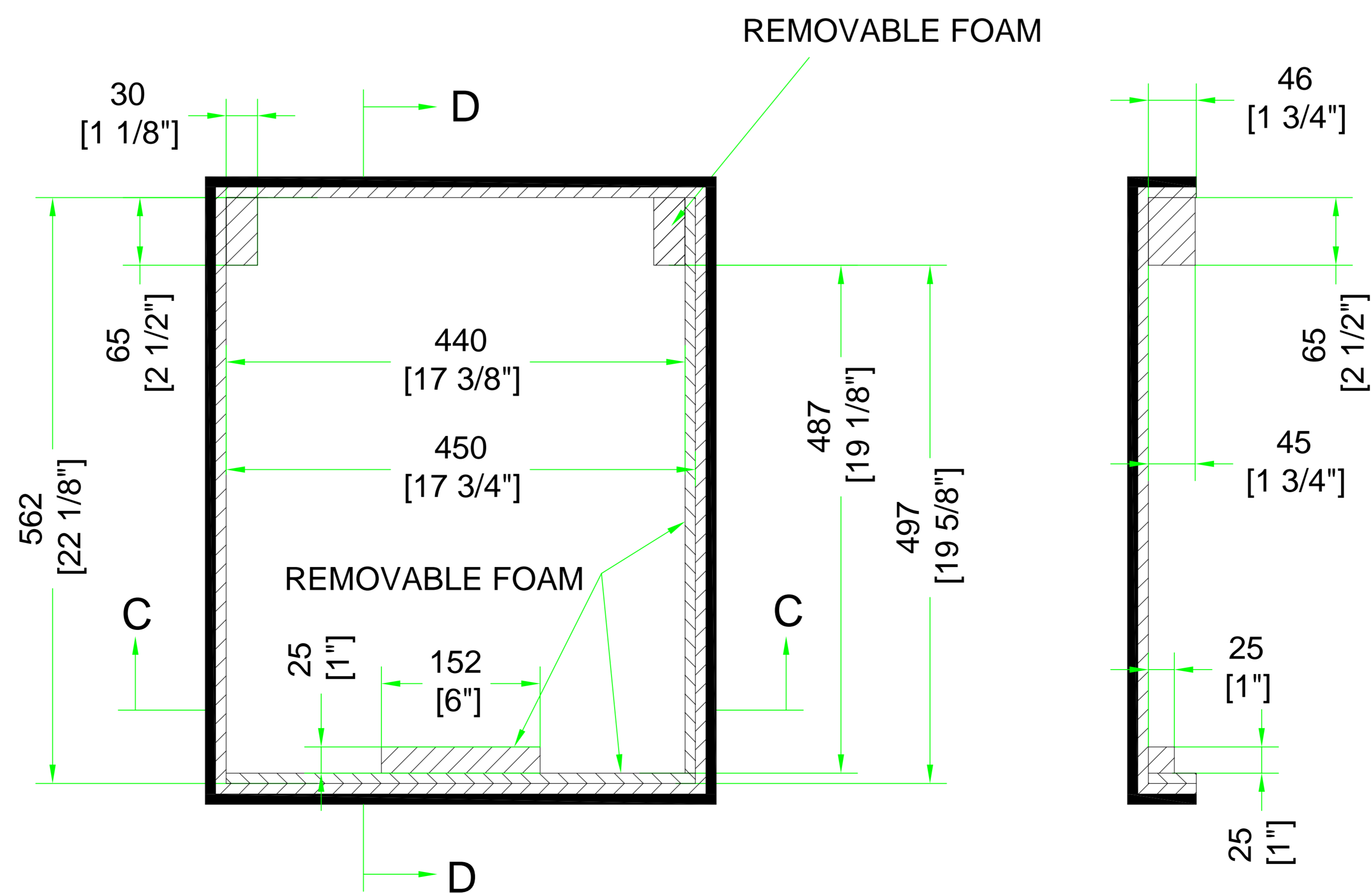


TOP VIEW OF COVER

B-B VIEW



C-C VIEW



TOP VIEW OF BASE

D-D VIEW