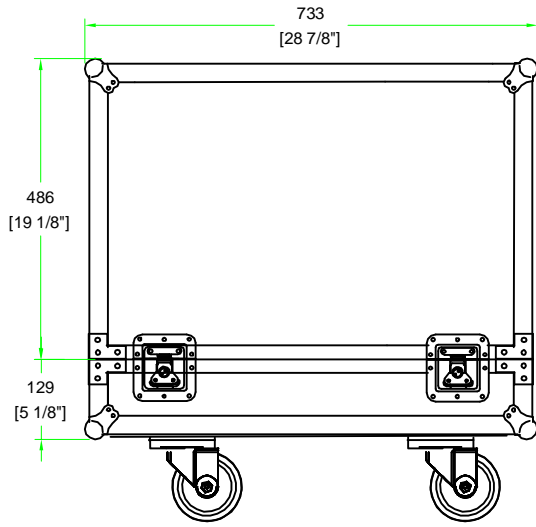
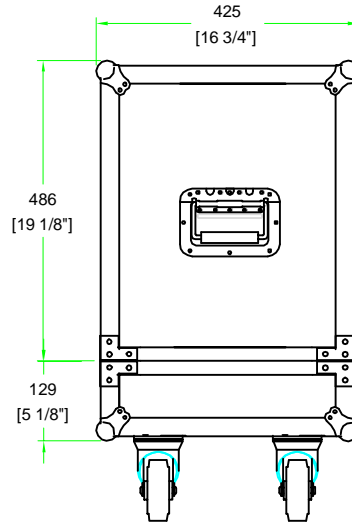


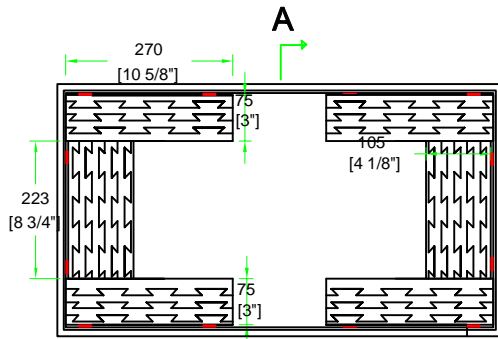
RRGC12C



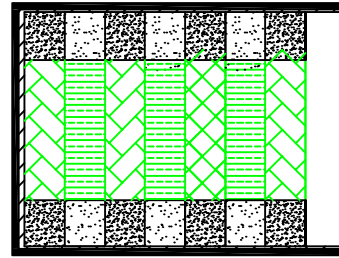
FRONT VIEW
BACK VIEW



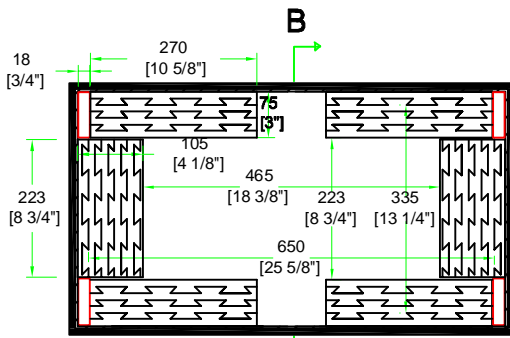
LEFT VIEW
RIGHT VIEW



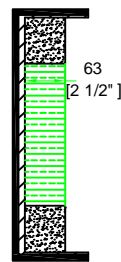
TOP VIEW OF COVER



A-A VIEW



TOP VIEW OF BASE



B-B VIEW

Signature of Approval

Printed Name