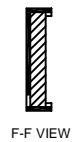
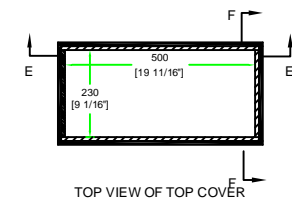
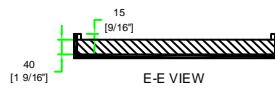
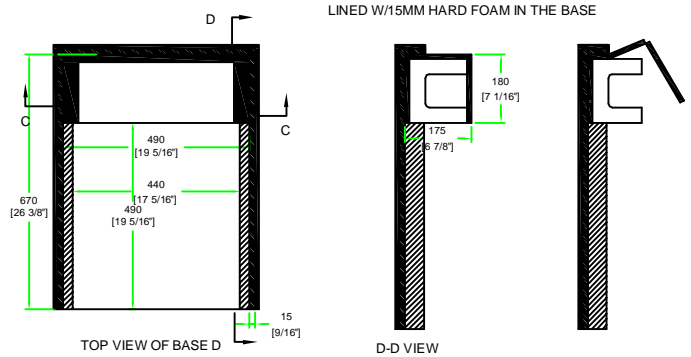
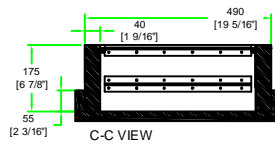
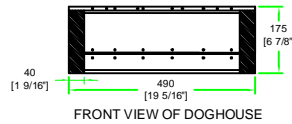
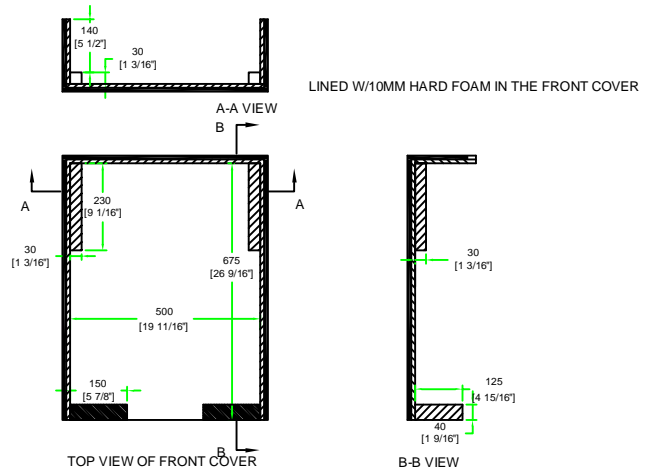
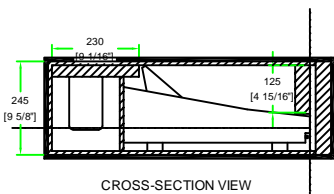
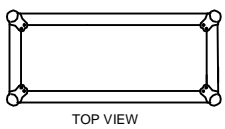
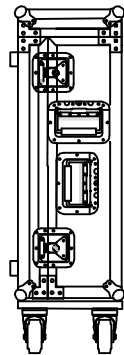
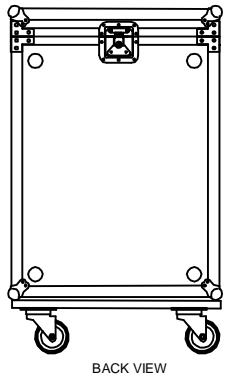
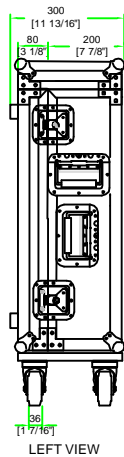
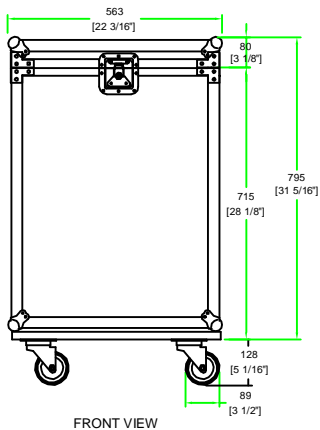


# RRLS916DHC



Signature of Approval

Printed Name