



Rugged Road Ready

Features

- * Beefy, Stackable Ball Corners
- * Double Anchor Industrial Rivets
- * Recessed, Industrial Grade Latches
- * Recessed Industrial Grade Handles
- * Premium 3/8" Vinyl Laminated Plywood
- * Tongue and Groove Locking Fit
- * 3 1/2" Industrial Grade Caster
- * ATA 300 Rating
- * Road Ready Limited Lifetime Warranty

Product Dimensions

Shipping Dimensions (inch): 33.8 x 16.3 x 37.4

Shipping Weight (lbs): 83.1

Product Dimensions (inch): 33.3 x 15.7 x 36.5

Product Weight (lbs): 81.4

Shipping Dimensions (cm): 86 x 41.5 x 95

Shipping Weight (kg): 37.8

Product Dimensions (cm): 84.6 x 40 x 92.8

Product Weight (kg): 37

RRMBRS412C

Case for Mesa Boogie Rectifier Straight
4 x 12 Cabinet with Caster Board

PICTURE COMING SOON!

Rock out and party like a rock star! The RRMBRS412C was designed to fit the Mesa Boogie Rectifier Straight 4 x 12 cabinet. The RRMBRS412C features our high density foam so your cabinet is cradled in the lap of luxury during transport, and to keep the good times rolling, we designed this rocker with a rugged caster for easy transportation.

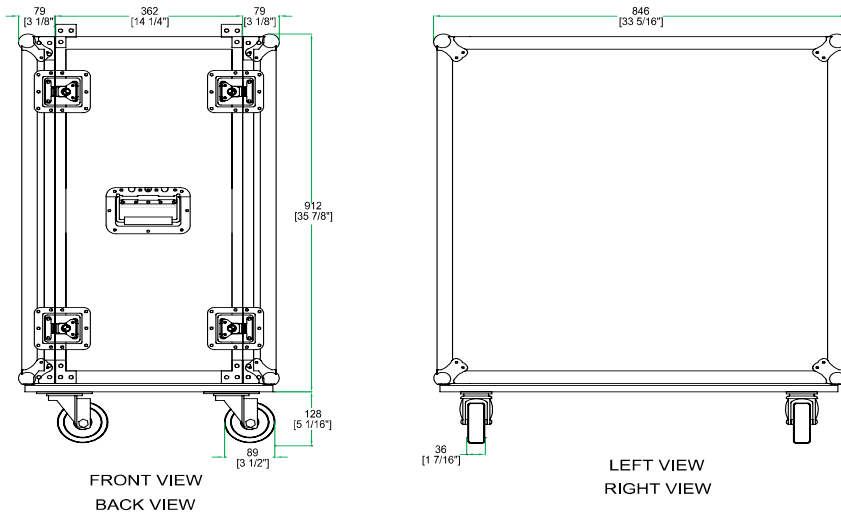
Road Ready Cases

1226 Corral Place * Santa Fe Springs, CA 90670

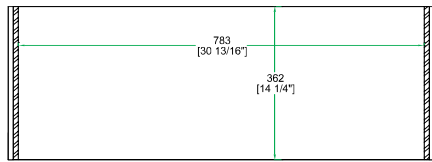
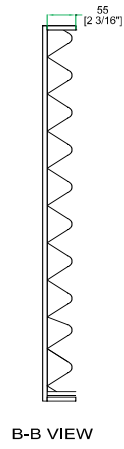
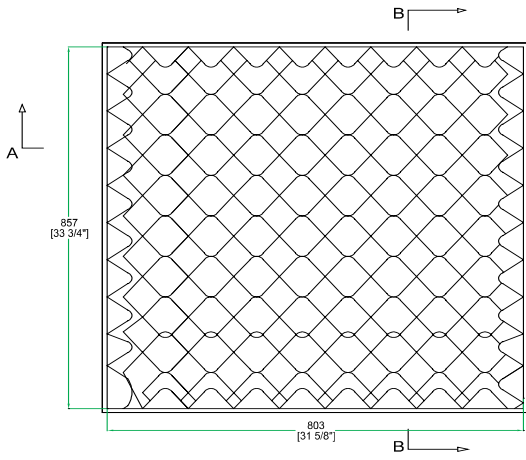
ph: 562.906.6185 * fax: 562.906.6186

WWW.ROADREADYCASES.COM

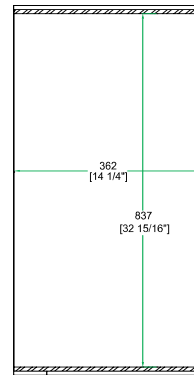
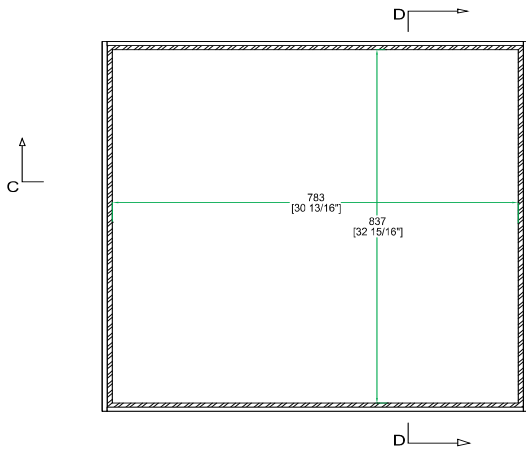
RRMBS412C



A-A VIEW



C-C VIEW



INSIDE VIEW OF BASE

D-D VIEW