



## Rugged Road Ready Features

- \* Beefy, Stackable Ball Corners
- \* Double Anchor Industrial Rivets
- \* Recessed, Industrial Grade Latches
- \* Recessed Industrial Grade Handle
- \* Industrial Grade Rubber Feet
- \* Premium 3/8" Vinyl Laminated Plywood
- \* Tongue and Groove Locking Fit
- \* Low Profile Base Design
- \* ATA 300 Rating
- \* Road Ready Limited Lifetime Warranty

## Product Dimensions

Shipping Dimensions (inch): 43.5 x 27.9 x 9.6

Shipping Weight (lbs): 48.4

Product Dimensions (inch): 42.9 x 27.2 x 8.8

Product Weight (lbs): 46.2

Shipping Dimensions (cm): 110.5 x 71 x 24.5

Shipping Weight (kg): 22

Product Dimensions (cm): 109.2 x 69.3 x 22.5

Product Weight (kg): 21

# RRMG32

CASE FOR YAMAHA  
MG 32/I4FX MIXER



**Created for the Pro's, the RRMG32 mixer case is made for the journey and built to hold strong in high stress situations. Designed to fit the Yamaha MG 32/14 FX mixer, the RRMG32 features a heavy-duty removable, latchable cover with our No Pressure Design to protect your mixer controls and a unique low profile base design that allows you to access your mixers rear connection panel without removing your mixer from the case. Tougher than the pavement! That's the idea.**

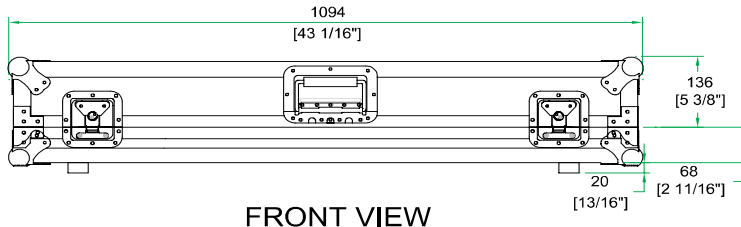
## Road Ready Cases

1226 Corral Place \* Santa Fe Springs, CA 90670

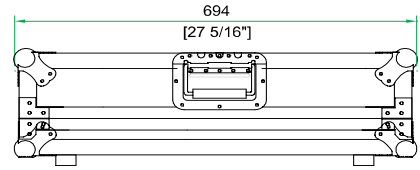
ph: 562.906.6185 \* fax: 562.906.6186

**WWW.ROADREADYCASES.COM**

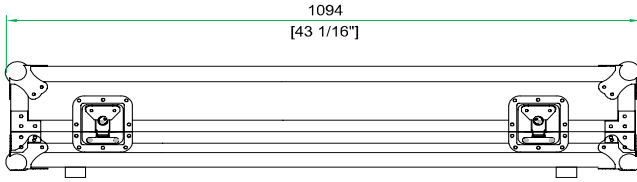
# RRMG32



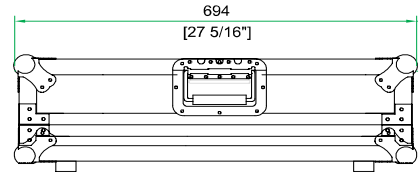
FRONT VIEW



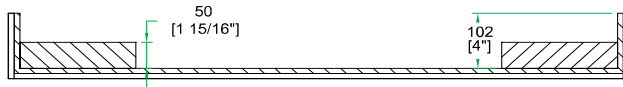
LEFT VIEW



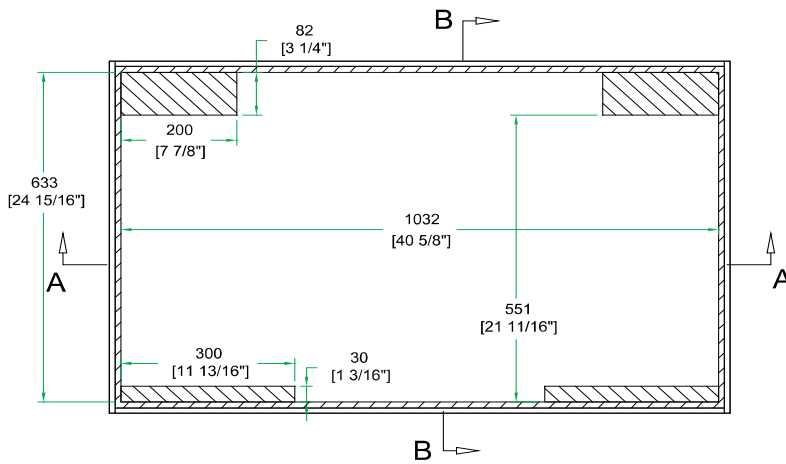
BACK VIEW



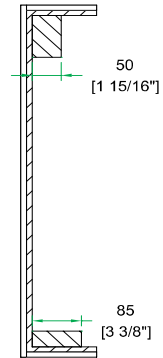
RIGHT VIEW



A-A VIEW



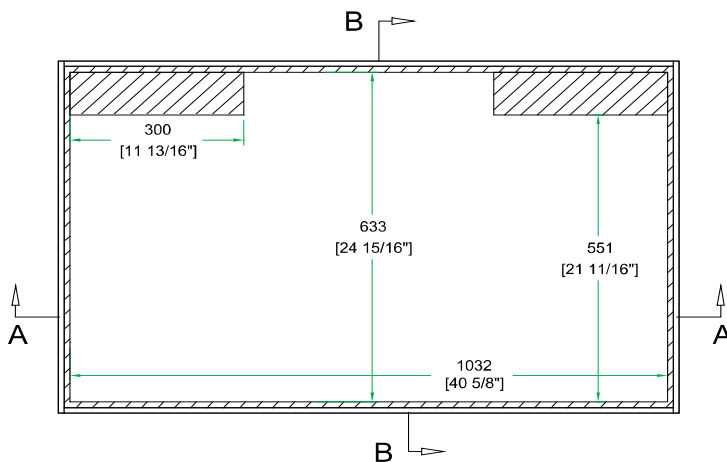
TOP VIEW OF COVER



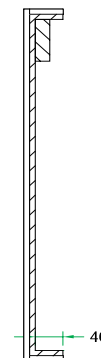
B-B VIEW



C-C VIEW



TOP VIEW OF BASE



D-D VIEW